

# NAFLON™ PTFE Smooth-PLiable hose

The NAFLON PTFE-SPL (Smooth-PLiable: smooth pliable inner surface) pressure-resistant hose has an outer spiral NAFLON BT tube reinforced by external stainless steel wire braiding. The hose minimizes the amount of inside liquid sedimentation and has a smaller bending radius than NAFLON straight hoses.

## Applications

- Transporting liquid chemicals, solvents and viscous fluids with minimum sedimentation.
- Transporting liquid chemicals from tank lorries and freight wagons.
- For complicated piping layout in a confined space.
- Food industry and pharmaceutical production lines.

## Service temperature range

- -40~150°C

## Dimensions

Nominal Size		Hose		Size availability		Hose weight (g/m)	Minimum bending radius *1 (mm)	Max. service temperature (°C) *2	
A	B	Inner dia. (mm)	Outer dia. (mm)	Min. (mm)	Max. (m)			Negative pressure	Positive pressure
20	3/4	19.0	24.0	500	12	460	80	100	150
25	1	25.0	31.0	500	12	650	90		
40	1 1/2	37.5	45.5	500	10	1150	120		
50	2	48.1	57.0	500	10	1670	170		

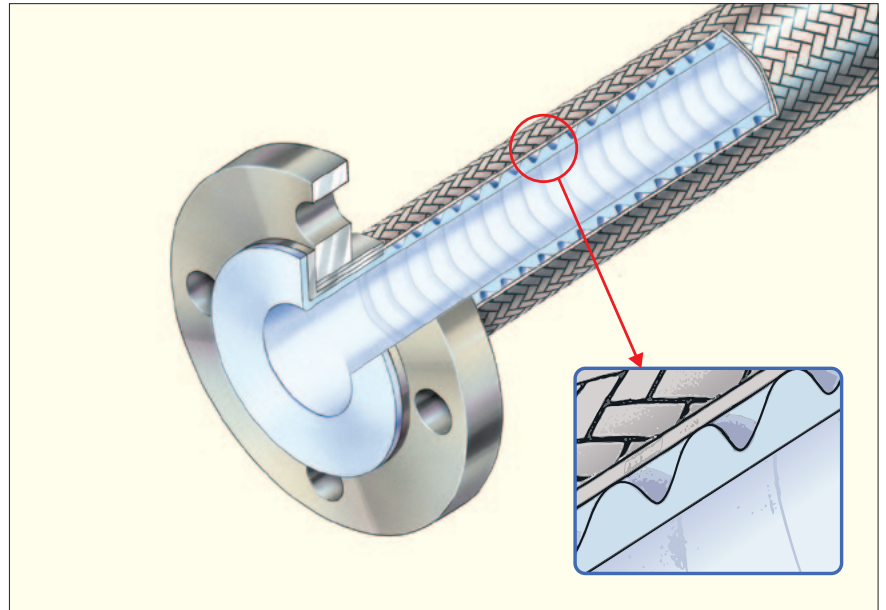
\*1: The minimum bending radius is 1.2 times the measured value. \*2: The maximum service temperature for resin (PCTFE) joints is 80°C.

\*The above figures are actual measurements and are not nominal values.

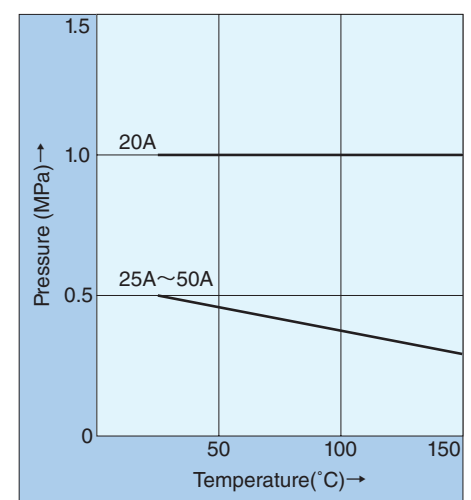
## Joint type

Type (Material)	Code
Screw type (SUS304)	SA
Resin type (PCTFE)	JA
Flange type (SUS304)	FB
Sanitary type (SUS304)	SH

\*For possibilities of other joint types, please contact us.



## Max service pressure by size



Measured by NICHIAS

\*The above figures are actual measurements and are not nominal values.